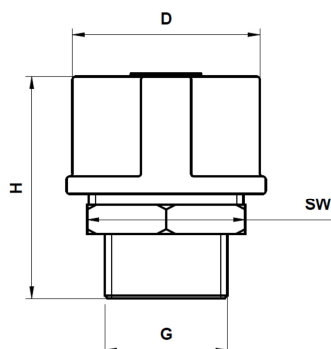


# Breather vent screws and plugs

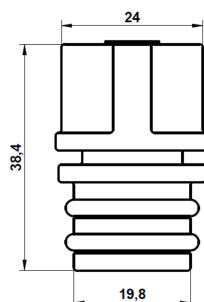
Venting is accomplished by a labyrinth ! Flush water + dust proof according to IP44.  
Stainless Steel 1.4404 / AISI 316L

These devices are intended to prevent the build-up of pressure / vacuums within a closed system (for example gearbox, bearing housing, tanks etc.) which may arise due to the operation (heating, dynamic, change of the oil level). The breather helps maintain a constant atmospheric pressure in the housing. At the same time, the "ventilated" space is protected against the penetration of unwanted media (water, dust, etc.).

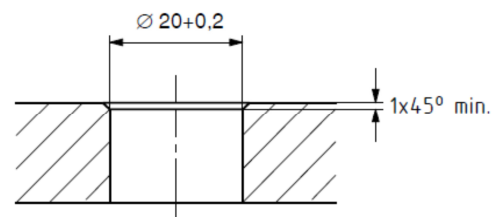
## Breather vent screws



## Breather vent plugs



The cap is also available without the imprint "OIL"



Mounting hole for the breather vent plugs

G	D [mm]	H [mm]	SW
1/8" BSPP	22	29	18
1/4" BSPP	22	32	19
3/8" BSPP	34	38	27
1/2" BSPP	32	41	27
3/4" BSPP	38	49	34
1" BSPP	38	50	34
1/4" BSPT	22	32	19
3/8" BSPT	34	38	27
1/2" BSPT	32	41	27
3/4" BSPT	38	49	34
NPT 1/4"	24	38	22
NPT 3/8"	32	41	27
NPT 1/2"	32	41	27
NPT 3/4"	38	49	34

## Function description

Breather caps are used in oil reservoirs which must be ventilated.

If the oil is agitated, e.g. by a gear running in an oil bath or sump, there is the risk that the oil will leak. A filter installed in the breathers (wire mesh or steel balls) prevents the oil from leaking without substantially disrupting the ventilation / breathing process (pressure compensation).

The filter can be left out if their function is no longer needed or if a higher air flow rate is desired.

**IMPORTANT:** For purchase orders please refer to the coding table!

**Standard for all models:** 1/4", 3/8", 1/2", 3/4" threads **BSPP**, **BSPT** or **NPT**.

**Other sizes available upon request.**