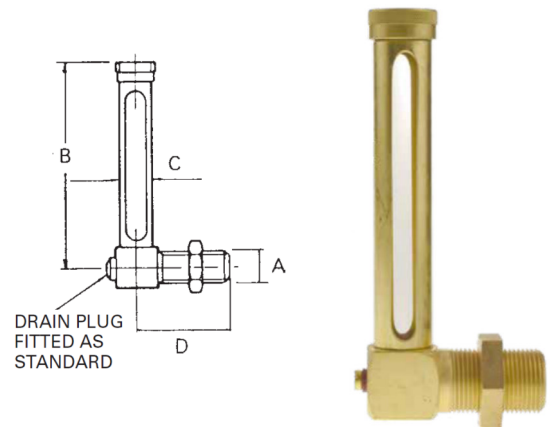


## Brass oil level gauges

These units are used in industry to visually check the fluid level within a reservoir or gearbox. Vertical and angled oil level gauges are available in brass.

### WITH LOCKNUT (DIN 3018 form B and C)

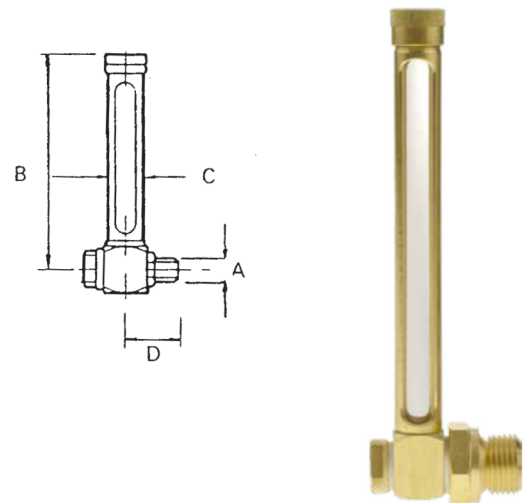
Model-No.	A	B mm	C mm	D mm
FGM 1050	1/8 BSP	50	13	27
FGM 1060		60	13	27
FGM 1080		80	13	27
FGM 2050	1/4 BSP	50	13	27
FGM 2060		60	13	27
FGM 2080		80	13	27
FGM 2100		100	13	27
FGM 2125		125	13	27
FGM 2150		150	13	27
FGM 2175		175	13	27
FGM 2200		200	13	27
FGM 2250		250	13	27
FGM 2300		300	13	27
FGM 3050	3/8 BSP	50	13	34
FGM 3060		60	13	34
FGM 3080		80	13	34
FGM 3100		100	13	34
FGM 3125		125	13	34
FGM 3150		150	13	34
FGM 3175		175	13	34
FGM 3200		200	13	34
FGM 3250		250	13	34
FGM 3300	300	13	34	
FGM 4100	1/2 BSP	100	16	38
FGM 4125		125	16	38
FGM 4150		150	16	38
FGM 4200		200	16	38
FGM 4250		250	16	38



Material – Brass, Glass Finish – Natural  
Maximum Working Temperature 90 °C

### WITH BANJO COUPLING (DIN 3018 form D and E)

Model-No.	A	B mm	C mm	D mm
FGB 1060	1/8 BSP	60	16	28
FGB 1080		80	16	28
FGB 1100		100	16	28
FGB 1125		125	16	28
FGB 2050	1/4 BSP	50	16	30
FGB 2060		60	16	30
FGB 2080		80	16	30
FGB 2100		100	16	30
FGB 2125		125	16	30
FGB 2150		150	16	30
FGB 2175		175	16	30
FGB 2200		200	16	30
FGB 2250		250	16	30
FGB 2300		300	16	30



Material – Brass, Glass Finish – Natural  
Maximum Working Temperature 90 °C

3/8 BSP, 1/2 BSP and NPT threads available on request.

**Vertical  
(DIN 3018 form A)**

Model-No.	A	B mm	C mm	D mm
FGV 2050		50	13	8
FGV 2060		60	13	8
FGV 2080		80	13	8
FGV 2100		100	13	8
FGV 2125	1/4	125	13	8
FGV 2150	BSP	150	13	8
FGV 2175		175	13	8
FGV 2200		200	13	8
FGV 2250		250	13	8
FGV 2300		300	13	8

Material – Brass, Glass Finish – Natural  
Maximum Working Temperature 90 °C

