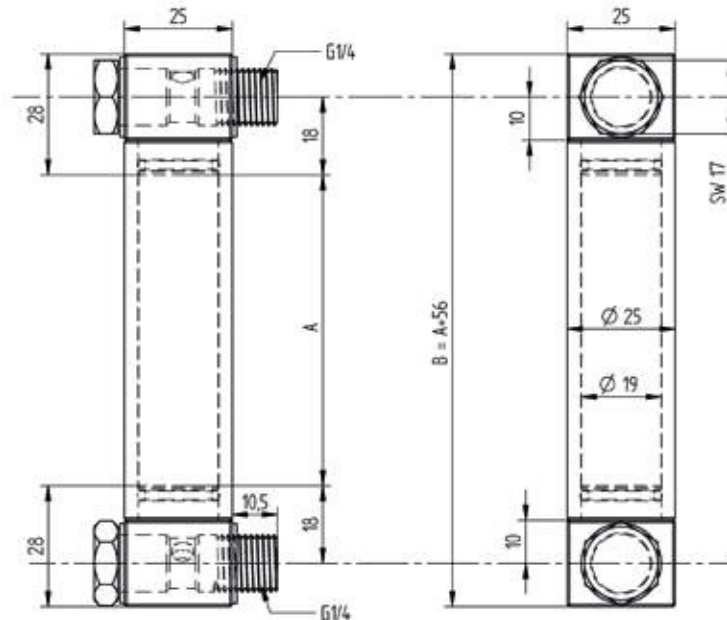


INOX Liquid Level Gauges Type Varia

Varia gauges feature a liquid level visibility from all sides. Due to their stainless steel socket they are very robust and suitable for large lengths.



Features:

- All metal parts made of stainless steel AISI 316L (1.4404)
- Sight glass made of acrylic glass (PMMA) or polycarbonate (PC)
- Seals: FKM, fiberglass reinforced PTFE
- Max. temp.: 80°C – PMMA, 100°C – PC
- Built for pressures up to 1-2 bar
- Standard connector G 1/4", other thread types on request
- Level markings on request

Variable length:

Visibility range A= 40...1000 mm
Bore position tolerance: 0...+4mm

On request:

- Thermometer included
- Sampling valve included

Standard length:

Typ-Nr. Sichtrohr PMMA	Typ-Nr. Sichtrohr PC	A mm	B mm
VDA-100-V-T	VDP-100-V-T	100	156
VDA-200-V-T	VDP-200-V-T	200	256
VDA-300-V-T	VDP-300-V-T	300	356
VDA-400-V-T	VDP-400-V-T	400	456
VDA-500-V-T	VDP-500-V-T	500	556
VDA-600-V-T	VDP-600-V-T	600	656
VDA-700-V-T	VDP-700-V-T	700	756
VDA-800-V-T	VDP-800-V-T	800	856
VDA-900-V-T	VDP-900-V-T	900	956
VDA-1000-V-T	VDP-1000-V-T	1000	1056

Please contact us for special requirements concerning chemical durability, thermal resistance or high pressures.